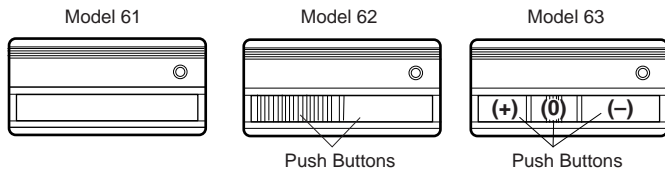


**Figure 1**



**Locating your code switches**

**Single-Function Transmitter:**

Slide the battery compartment cover back to access the code switches in the transmitter (Figure 2).

**Two-Function Transmitter:**

The two-function transmitter has two push buttons (For channel 1 and channel 2), each activated by its own set of code switches. One of the buttons can be used to operate a garage door opener. The other button can operate an entry way, light product or another door opener.

Access the code switches for channel 1 (smooth button) by sliding back the battery compartment cover. To access the code switches for channel 2 (ribbed button), remove the battery compartment cover and the cover screw. Then depress the tab in the edge of the case (alongside the battery). The remote control case back will lift off (Figure 2).

**Multi-Function Transmitter:**

The multi-function transmitter has three buttons. The large button is recommended for use with a garage door opener. The other push buttons can be used to operate another garage door opener and/or light control product. Slide back the battery compartment cover to access the code switches in the multi-function transmitter (Figure 2).

**To match or change the code in the transmitter**

Locate the code switches in both the new and the original transmitters, either by removing the case screw and cover or by sliding the battery compartment cover back. Place transmitters side by side as shown (Figure 3) and set switches in all transmitters to matching positions (+,0,-). Use a pen or screwdriver to slide the code switches.

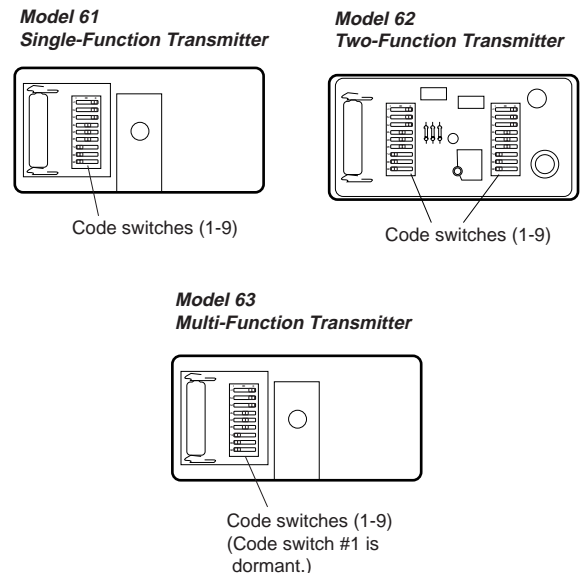
**NOTE:** Code switch #1 on the multi-function transmitter is dormant, when used with a single function transmitter. Set code switch #1, in the single-function transmitter, to match the push button selected on the multi-function transmitter (Figure 1).

**⚠ WARNING**

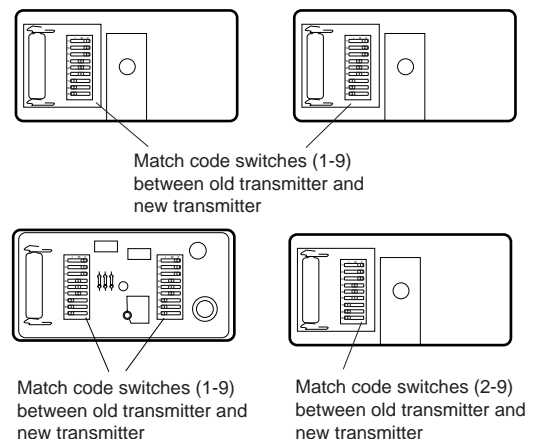
To prevent possible **SERIOUS INJURY** or **DEATH** from a moving gate or garage door:

- ALWAYS keep remote controls out of reach of children. NEVER permit children to operate, or play with remote control transmitters.
- Activate gate or door ONLY when it can be seen clearly, is properly adjusted, and there are no obstructions to door travel.
- ALWAYS keep gate or garage door in sight until completely closed. Never permit anyone to cross path of moving gate or door.

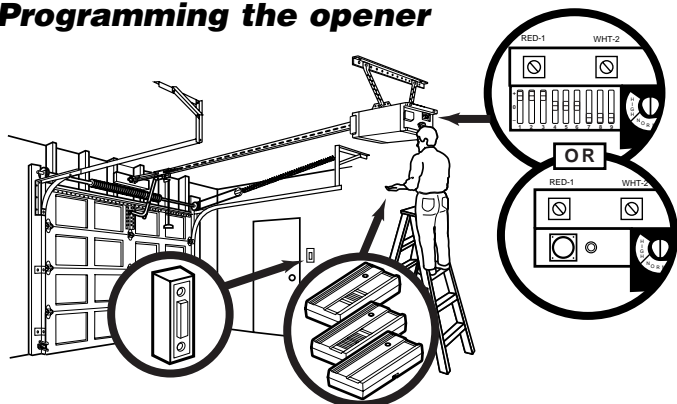
**Figure 2**



**Figure 3**

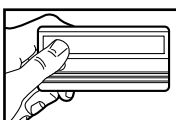
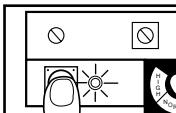


## Programming the opener



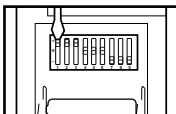
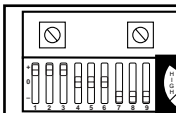
### If your unit has a “Learn” button:

1. Press and release the “learn” button located on the back panel of the motor unit. The learn indicator light will glow steadily for 30 seconds.
2. Within the 30 second window, press and hold the button on the hand-held remote.
3. The unit will either activate or the opener light bulb will blink signifying it has learned the code.



### If your unit has code switches:

1. Using a step ladder climb up to the back of your motor unit. Check the code switch settings on the back of the motor unit.
2. Use a pen or screw driver to set the code switches on the back of the transmitter to match the code switches on the back of the motor unit.
3. Once the code switches have been set push the transmitter button to activate your unit.



## Replacing the transmitter battery

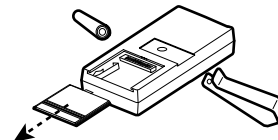
### ⚠ WARNING

To prevent possible SERIOUS INJURY or DEATH:

- NEVER allow small children near batteries.
- If battery is swallowed, immediately notify doctor.

Locate the battery by sliding the battery compartment cover.

Dispose of old batteries properly.



NOTICE: To comply with FCC and or Industry Canada rules, adjustment or modifications of this receiver and/or transmitter are prohibited, except for changing the code setting or replacing the battery. THERE ARE NO OTHER USER SERVICEABLE PARTS.

Tested to Comply with FCC Standards FOR HOME OR OFFICE USE. Operation is subject to the following two conditions: (1) this device may not cause harmful interference, and (2) this device must accept any interference received, including interference that may cause undesired operation.